

FLEXIBLE

The VSH-2096 is designed to hull a wide variety of products including oats, sunflower seeds, spelt, hemp, barley, buckwheat, canary seed, cocoa beans, and other products.

ADJUSTABLE

The VSH-2096's Impeller speed can be precisely adjusted using the variable frequency inverter. The Impact ring is available in various materials to best match your specific hulling requirements.

STURDY

A heavy, welded steel housing helps provide long-term smooth operation.

LOW MAINTENANCE

Containing just two wearing parts and one moving part means the VSH-2096 is nearly maintenance-free.



DESIGNED FOR MAXIMUM HULLING EFFICIENCY, RELIABILITY and FLEXIBILITY

OPERATION

The VSH-2096 is designed to hull products such as oats, sunflower seeds, spelt, hemp, barley, buckwheat, canary seed, cocoa beans, etc. by passing these materials through a rotating impeller and propelling them into the surrounding impact ring. This dynamically balanced, hardened impeller contains a series of grooved vanes which force individual kernels to orient themselves for maximum hulling efficiency at impact. The impeller can be programmed for the precise speed desired using the variable frequency drive.



The impact ring is available in various types of materials, most commonly stone, ceramic and polymer, depending on the application. Each impact ring can be vertically adjusted to allow for better performance and to promote even wear, resulting in an extended service life. The support legs of the VSH-2096 can be positioned upside-down to suspend the huller from the ceiling.

CAPACITY

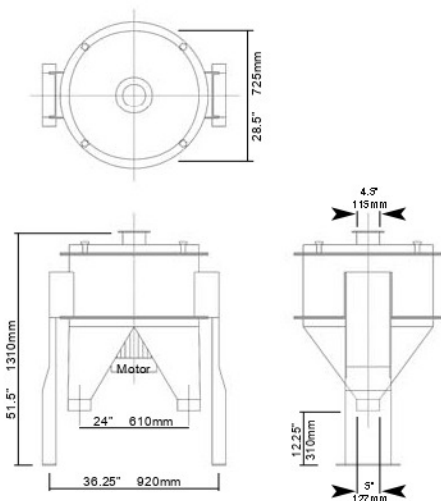
When hulling Oats, the capacity of the VSH-2096 is approximately 4500 Lbs/hr (2000 Kg/hr). Please contact Codema, LLC to arrange a hulling test for your particular product.

SPECIFICATIONS

WEIGHT: 550 Lbs (250 Kg) Net weight, including motor

DRIVE OPTIONS: 7.5hp—1800rpm or 5hp—1200rpm direct drive motor

ASPIRATION REQUIREMENTS: Approx. 400cfm (12m³/min) of air at the outlet



IMPACT HULLER VSH-2096